

BALLON IS AN ALL-NEW, VERSATILE AND ADJUSTABLE FAMILY OF A NEW, CREATIVELY SHAPED ORGANIC DESIGN LANGUAGE, WITH TASTEFUL TOUCHES OF WOOD IN THE TUNTO FASHION.

BALLON IST EINE GANZ NEUARTIGE, VIELSEITIGE UND VERSTELLBARE PRODUKTFAMILIE MIT EINER FRISCHEN, KREATIV GESTALTETEN ORGANISCHEN FORMSPRACHE, MIT RAFFINIERTEN DETAILS AUS HOLZ, WIE VON TUNTO ERWARTET WERDEN KANN.

Ballon wall 3

The elegant Ballon Wall 3 comes in two options – left-hand and right-hand.

Den eleganten Ballon Wall 3 gibt es in zwei Ausführungen – links oder rechts



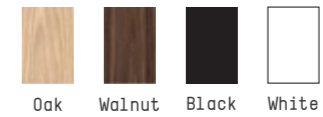
Ballon wall 3

TECHNICAL SPECIFICATIONS / TECHNISCHE DATEN

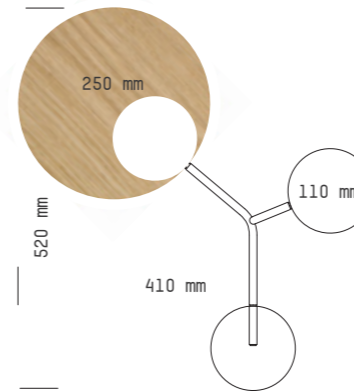
Frame and 110mm panel colors



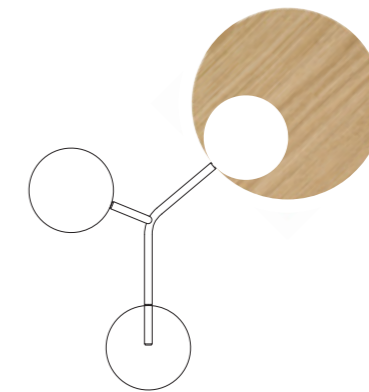
250mm panel colors and materials



Wood Surface Finish: Lacquer

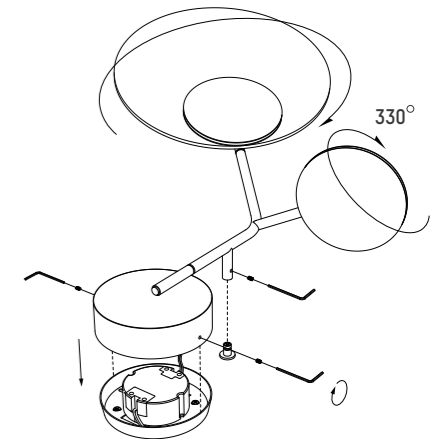


LEFT SIDE MODEL



RIGHT SIDE MODEL

110mm Mounting cup, same color as the frame.



Adjustable panels,
Panels rotate 330 degrees: Large 250 mm, Small 110 mm

Drivers / Built-in

500 mA	non dimmable (standard)	LET
--------	-------------------------	-----

Drivers / External

500 mA	DALI, PUSH DIM	LCM25DA
	0-10V / PWM	LCM25
	CASAMBI DIM	CAS

Rated Power	11 W	Kelvin	2700 K, <u>3000 K (standard)</u>
Voltage	220-240V 50/60 Hz, UL model 110-295V	Lumen	400 lm
Output	9 V 500 mA	CRI	85 Typ
Cord Length	External driver cable length, Standard 3 m,	Package Size	540 x 470x 150 mm
Frame color	Black RAL 9005 fine efekt, White RAL 9003 fine efekt	Package Weight	2 kg

INDOOR USE ONLY

NON-USER REPLACEABLE LIGHT SOURCE

IP20

